



GeBE-MULDE Mini

TECHNICAL INFORMATION

GPT-4352-31

GPT-4352-60

Highlights at first sight:

- extremely compact front panel thermal printer for paper width of 58 mm
- suitable for paper roll diameter 31 mm or 60 mm
- ideal for protocol, receipt and label printing
- easy paper handling through Easy Loading Technology
- recommended for Siemens SIMATIC HMI panels, Endress+Hauser Ecograph/memograph
- customized versions for medium quantities, e.g. operation foil or housing color
- high-speed printing up to 100 mm/s

The GeBE-MULDE Mini

The front panel thermal printer GeBE-MULDE Mini (GPT-4352-31, -4352-60) adapts to diverse preconditions and integration situations. Two different controller concepts are available (A8 and C32). Siemens recommends the tiny GeBE-MULDE Mini for SIMATIC HMI Panels. The space-saving printer is compatible to HP deskjet. A variety of interfaces is standard available, e.g. for Endress+Hauser ecograph/memograph.

A simple cut-out suffices for the implementation. Especially the printer's compact and light design qualifies for stationary or mobile operation. The energy-saving power management allows an extra-long battery mode.

The paper roll of \varnothing 31 mm serves 11 m printouts, the \varnothing 60 mm paper roll stores approximately 43 m length – the quadruple amount. The GeBE-MULDE Mini also prints on self-adhesive labels. Using the right paper, the printer can be operated in a temperature range of -10°C to +60°C.

Typical application

Protocol printing in machines / for measurement technical targets or documentation / receipt printing e.g. at POS or in accounting systems at hotel receptions.

Drivers

The printer controller GCT-439x will be supported by following drivers:

Windows® CE.Net 4.2, 5.0, 6.0, 7.0 and Windows® XP, Vista, 7, 8, 8.1, 10

Unix via Cups for Linux and Mac OS

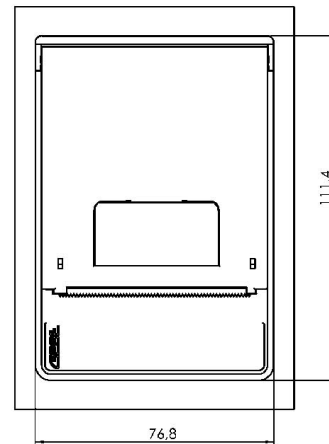
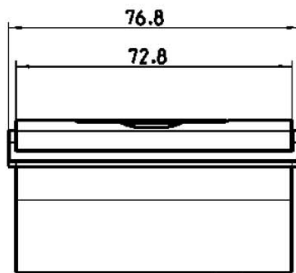
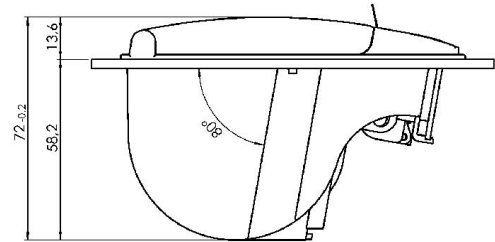
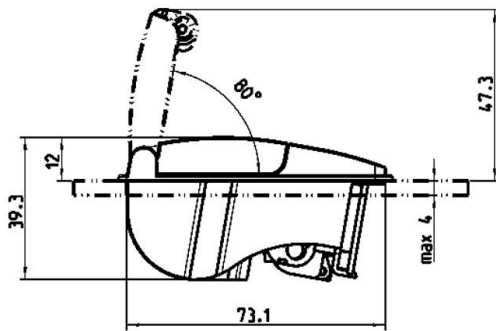
Accessory details

Article number	Article designation	Article description
Cable		
12451	GKA-409-1-6-SHR/x-250-S	Power supply 6-pin for 10 – 36 VDC connection, length 250 mm
11353	GKA-410-1-7-SHR/X-250-S	Power supply 6-pin for 5 VDC connection, length 250 mm
11352	GKA-406-2-5-SHR/SubD9-1000-D	Round cable RS232 JST 5-pin to sub-D 9, length 1000 mm
11387	GKA-414-1-5-SHR/x-500-D	Cable RS232 JST 5-pin, one side open, length 500 mm
12872	GKA-570-2-5-MLX/USBA-2000-D	Cable USB Typ A to Molex, length 2000 mm
Power supply		
13696	GNG-0-5V-5A-AC-SK/AEH-Set	Power supply 5V 5A with Schuko plug and power supply cable
13695	GNG-0-24V-3A-AC-SK/AEH-Set	Power supply 24V 3A with Schuko plug and power supply cable
12618	GNG-G-6,5V-3A-DC10/36-SHR/SHR	DC/DC 10 - 36VDC coverter implemented for GPT-4352-31 models

Article number	Article designation	Article description
Mounting support		
11414	GMS-4352-96x96	Mounting frame for GPT-4352 in DIN 96x96 housing
11415	GMS-4352-3HE-18TE	Mounting frame for GPT-4352 in 3HE 19" rack with fastening screws
12610	GMS-4352-60-3HE-18TE	Mounting frame for GPT-4352-60 in 3HE 19" rack with fastening screws
13923	GMT-4352-31-DIN-USB-PHOG/USBM	DIN housing for switchboard 96x96 mm for GPT-4352-31 USB models with DC/DC converter and mounting frame
13924	GMT-4352-31-DIN-V.24-PHOG/SubD9	DIN housing for switchboard 96x96 mm for GPT-4352-31 RS232 models with DC/DC converter and mounting frame
12646	GMS-DIN96x96-door-with-lock	Transparent front door IP54 with lock for DIN housing 96x96 mm
11350	GMS-DIN96x96-door-with-hasp	Transparent front door IP54 with hasp for DIN housing 96x96 mm
Paper		
GPT-4352-31		
13855	GPR-057-032-CL-055-013-10-AN1k-BPf	10 years paper, roll ø 32 mm, width: 58 mm, paper thickness: 55 µm, outside coated, coreless and phenol free
12033	GPR-057-031-007-060-25-AN1k-BPf	Single labels, size: 109.5x76.2 mm, approx. 210 each, width: 114 mm
12428	GLR-057-031-012-128-12-AN1k-EE	Endless labels, roll ø 31 mm, width: 58 mm, paper thickness: 120 µm, outside coated
12698	GLR-057-031-012-128-12-AN1k-EL	Endless labels, size: 52x51 mm, approx. 70 each, width: 58 mm, paper thickness: 120 µm, outside coated
Paper		
GPT-4352-60		
12410	GPR-057-060-007-060-07-AN1k	7 years paper, roll ø 60 mm, width: 58 mm, paper thickness: 60 µm, outside coated
12983	GPR-057-060-012-060-25-An1k-BPf	25 years paper, roll ø 60 mm, width: 58 mm, paper thickness: 60 µm, outside coated
12984	GLR-057-060-025-120-12-AN1k-EE	Endless labels, size ø 60 mm, width: 58 mm, paper thickness: 120 µm, outside coated
13377	GLR-057-060-025-128-12-AN1k-EL	Single labels, size: 52x51 mm, approx. 335 Stück, width: 58 mm, paper thickness: 120 µm, outside coated
Customising		
11586	GPT-4xxx-Foil-Tooling	Tooling foil for GPT-4352, standardized up to 6 colors (one-time)
13015	GPT-4352-Foil-Sxxx	Customized foil
13667	GMT-4352-special-color	Housing in special color RAL
13668	GMT-4352-60-special-color	Housing in special color RAL
Spare parts		
11734	GMT-4352-31-Cover/Lever-at	Cover and lever anthracite for GPT-4352-31 models
12893	GMT-4352-60-Cover/Lever-at	Cover and lever anthracite for GPT-4352-60 models
12116	GMT-4352-platen	Platen for GPT-4352 models
11892	GPD-ELM208LV	Exchange printer mechanism for GPT-4352 models including platen

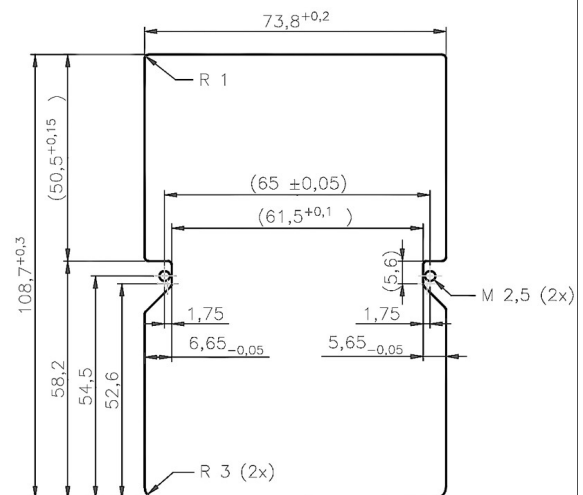
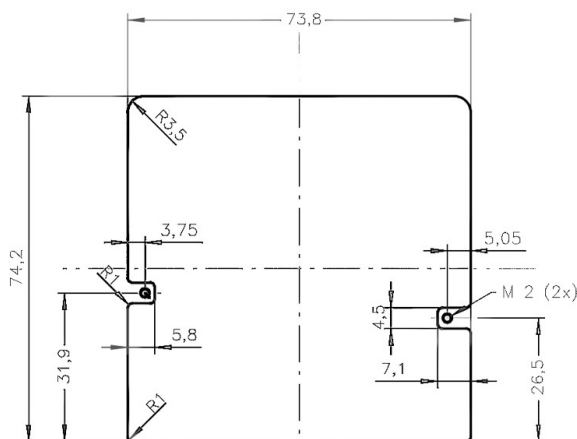
Technical drawings

Drawing: GeBE-MULDE Mini for 58 mm paper width



Model for paper roll of diameter max. \varnothing 31mm (GPT-4352-31)

Model for paper roll of diameter max. \varnothing 60 mm (GPT-4352-60)



Technical data details

	GPT-4352-31 C32	GPT-4352-60 C32	GPT-4352-31 A8	GPT-4352-60 A8
Insert paper	Easy Paper Loading			
Print procedure	Thermal direct print			
Resolution	8 dots/mm (203dpi), 384 dots/line			
Print speed	max. 100 mm/s		max. 50 mm/s	
paper / print width	58 / 48 mm			
Paper thickness	50 - 80 µm / approx. 11 m	50 - 80 µm / approx. 43 m	50 - 80 µm / approx. 11 m	50 - 80 µm / approx. 43 m
Supply voltage	4.5 – 8.5 VDC / 10 – 36 VDC with DC/DC converter		4.5 – 6.5 VDC / 10 – 36 VDC with DC/DC converter	
Max. current during print	Adjustable maximum approx. 0.7 - 6 A (peak)			
Current consumption	approx. 60 mA standby		approx. 40 mA standby	
Available interfaces	RS232 and USB optional TTL 3.3 V		RS232 or USB or TTL	
Fonts	23 fonts, extendable, UTF able		IBMII 24, 32, 42, 54 characters/line, extendable	
Bar code	EAN8 / EAN13 / UPCA / Code39 / 2of5 int / Code 128		EAN8 / EAN13 / Code39 / 2of5 int., optional: Code 128c, PDF417	
MTBF*)	approx. 50 km			
Dimensions	76.8 x 77.4 x 39.3 mm	76.8 x 111.4 x 72 mm	76.8 x 77.4 x 39.3 mm	76.8 x 111.4 x 72 mm
Weight	approx. 150 g incl. paper roll	approx. 260 g incl. paper roll	approx. 150 g incl. paper roll	approx. 260 g incl. paper roll
Paper roll diameter	max. 31 mm	max. 60 mm	max. 31 mm	max. 60 mm
Housing	ABS, similar RAL 7016	PA6 with 15% glass fiber, RAL 7016	ABS, similar RAL 7016	PA6 with 15% glass fiber, RAL 7016
Environment	-10° C - +60° C with specified paper			
Humidity	10 – 90 % rel. humidity, without condensation			
Storage condition	-20° C - +70 °C 10 – 90 % rel. humidity – without condensation			

*) Life cycle according to mechanism testing conditions of the manufacturer with specified paper only. Please inquire. The life cycle of the print head is an averaged expectable performance and no guaranteed data. Under optimum conditions, the above listed data can be achieved using specified paper according to our documentation TI-606. The GeBE logo is a registered trademark of GeBE Elektronik und Feinwerktechnik GmbH. All other brands named in this brochure are properties of the respective companies. The technical data given are non-committal information and do not represent any assurance of certain features. Errors and changes reserved. This technical documentation is only valid until release of a revision. Please always request the newest documentation edition.
Our terms of payment and delivery apply.
Copyright © 2016 GeBE Elektronik und Feinwerktechnik GmbH.
All rights reserved.