

GeBE-COMPACT Plus

GPT-4672-(P)M-ISO

TECHNICAL INFORMATION



Highlights at first sight:

- Modular built-in thermal printer, also with modified presenter – individually combinable
- Robust stainless steel housing with illuminable bezel in green or white transparent
- Paper guide for ISO tickets with 54 mm paper width
- Retract function for paper-saving printing and data-sensitive printouts
- Cutter for full and partial cut for paper thickness 70 – 200 µm
- Suitable for ticket printing with text, graphics and barcodes
- High quality print of 203 dpi with speed up to 250 mm/s

The GeBE-COMPACT Plus ISO

The built-in thermal printer GeBE-COMPACT Plus GPT-4672-(P)M-ISO is tailored for the ISO ticket printing as front panel or paper tray solution.

The completely modular system maps almost every OEM printer requirement. The additional parts can be freely combined with the basic module, the printer unit. In contrast to the designs common on the market, the new bezel offers greater protection against vandalism and screw-free insertion into a housing front.

The GeBE-COMPACT Plus with presenter unit can completely confiscate a not removed printout (e.g. ticket) after a programmed time. In addition, the fast printout "presenting" prevents damage to printer mechanism and cutter, caused by impatient pulling when removing a ticket.

Gap marks or blackmarks exactly control the printing process (e.g. text in preprinted tickets). The wide range of available layout commands and several character sizes allow attractive ticket designs.

Using the right paper, the printer can be operated in a temperature range of -25°C to +70°C (-13°F to +158°F), also for outdoor applications.

Typical applications

- Ticket printing in vending machines, e.g. train ticket

Drivers

The printer controller GCT-46620 will be supported by following drivers:

- Windows[®] 7, 8, 8.1, 10 and Windows[®] CE 5.0, 6.0, 7.0
- CUPS for Linux Ubuntu 16.04 LTS, 18.04 LTS, 19.04 LTS and 20.04 LTS (others on request)
- SDK for Windows[®] 7, 8, 8.1, 10 and Windows[®] CE 6.0, 7.0, Android Studio up from version 3.2.1, Linux Ubuntu 16.04 LTS, 18.04 LTS, 19.04 LTS and 20.04 LTS, (others on request)

GeBE-COMPACT Plus ISO - modular

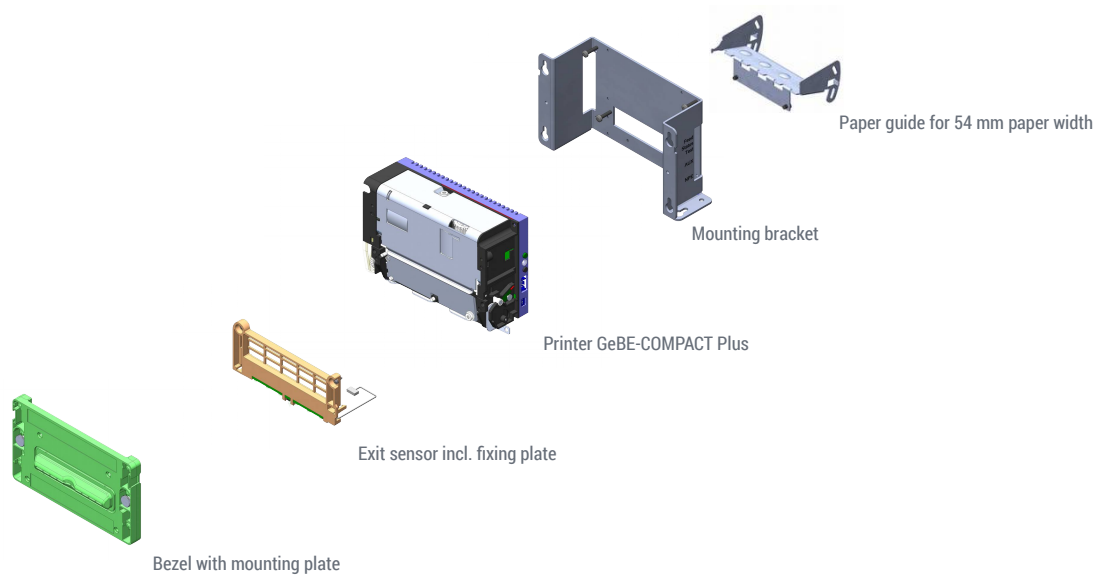


Figure 1: Possible combination of GeBE-COMPACT Plus GPT-4672-M-ISO

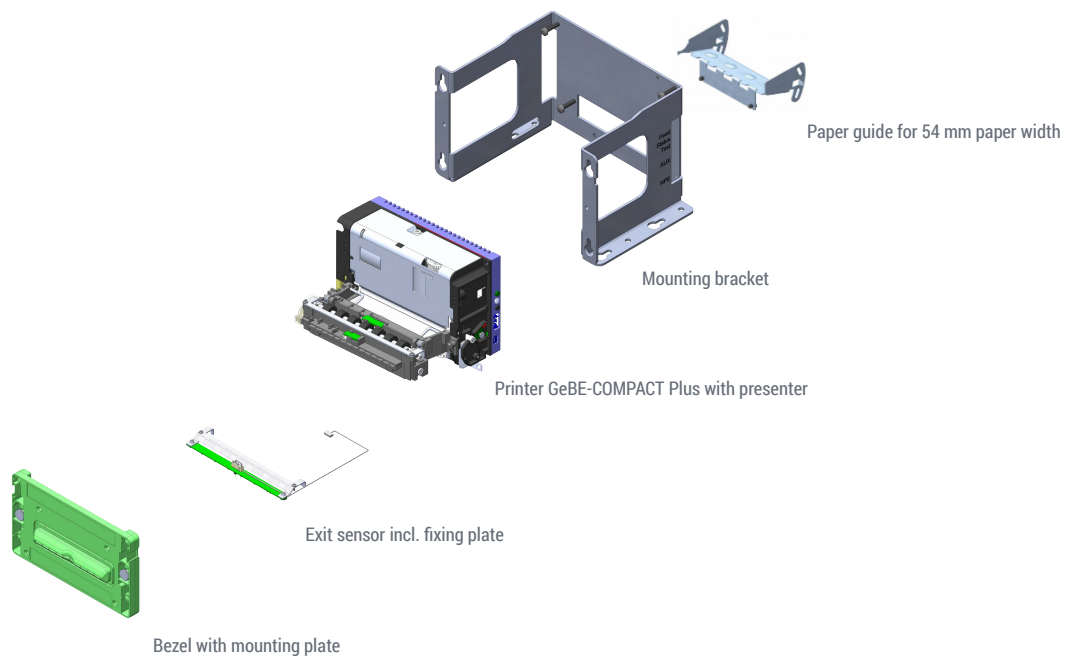
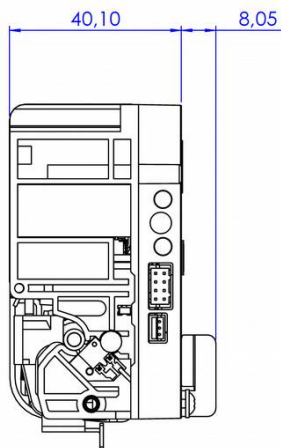


Figure 2: Possible combination of GeBE-COMPACT Plus GPT-4672-PM-ISO

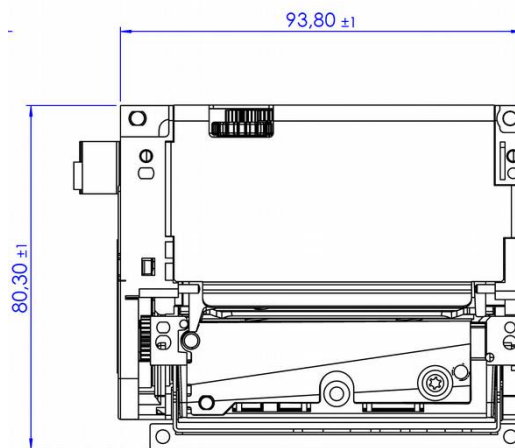
Accessory

Article number	Article description	GPT-4672-M-ISO	GPT-4672-PM-ISO
Cable			
12872	Data round cable USB 2.0 FS, 5 pin, Molex to USB A, length 2,000 mm (78.74 inch)	x	x
11352	Data round cable RS232, 5 pin, JST SHR to Sub-D, length 1,000 mm (39.37 inch)	x	x
11387	Data cable RS232, 5 pin, JST SHR - one side open, length 500 mm (19.69 inch)	x	x
10258	Power supply cable for 10 – 36 VDC, 2 single wires 1.0 mm ² with end splice, one side open, length 500 mm (19.69 inch)	x	x
Power supply			
13694	Power supply 24 VDC / 6.5A with shockproof plug and power supply cable	x	x
Spare parts			
14161	Platen	x	x
Options for the module			
14204	Mounting bracket for GPT-4672-C32	x	
14200	Mounting bracket for GPT-4672-P-C32		x
Options, only together with mounting bracket			
14207	Paper guide for 54 mm (2.13 inch) paper width	x	x
14165	Green bezel with mounting plate (plastic)	x	x
14240	White transparent bezel with mounting plate (plastic)	x	x
14253	Mounting plate and modified bezel for paper tray GPS-085	x	
11957	Paper tray for paper width up to 85 mm (3.35 inch), receipt length 130 mm (5.12 inch)	x	
Sensors			
14130	Exit sensor incl. 2" sensor holder for printer with PHDR8 connector	x	
14198	Exit sensor incl. fixing plate for 2" presenter and printer controller with PHDR8 connector		x
Paper			
14332	12 years ISO tickets • roll: max. ø 195 mm (7.68 inch) • core inside: ø 76 mm (2.99 inch) • ticket length: 86.5 ±0.15 mm (3.41 ±0.006 inch) • width: 54.0 +0.05/-0.2 mm (2.13 +0.002/-0.008 inch) • paper thickness: approx. 187 µm (7.36 mil) • outside coated • approx. 1,250 tickets	x	x
14228	7 years ISO tickets • stack height: max. 350 mm (13.78 inch) • number of tickets per stack: approx. 5,000 • ticket length: 86.5 ±0.15 mm (3.41 ±0.006 inch) • width: 54.0 +0.05/-0.2 mm (2.13 +0.002/-0.008 inch) • paper thickness: approx. 187 µm (7.36 mil) • top coated • number of stacks: 1	x	x

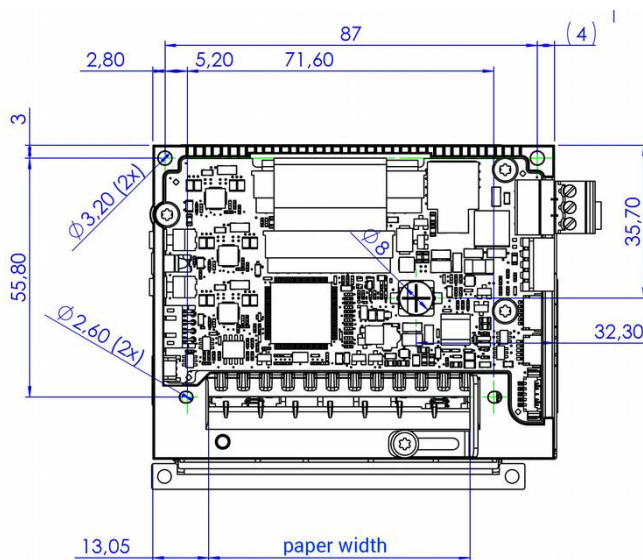
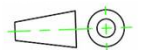
Technical drawings



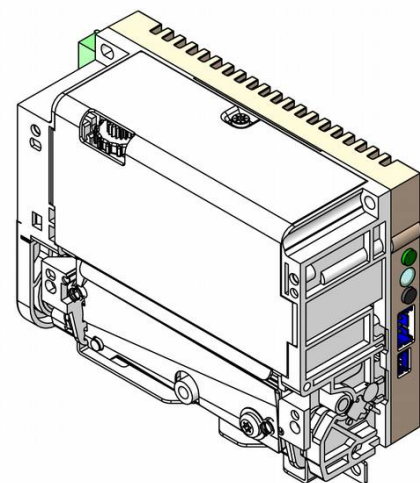
Side view from the right



Front view



Back view



3D view

Figure 3: Dimensions GeBE-COMPACT Plus GPT-4672 (for max. 60 mm ticket width) in mm

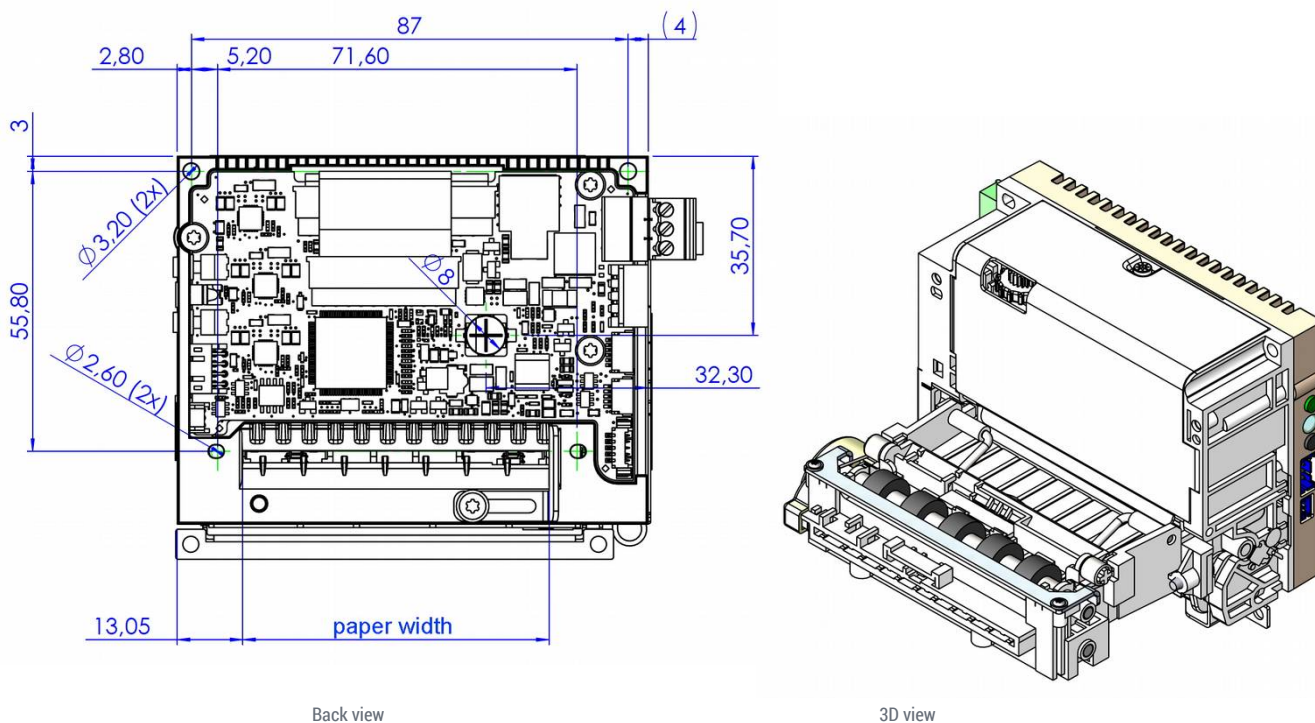
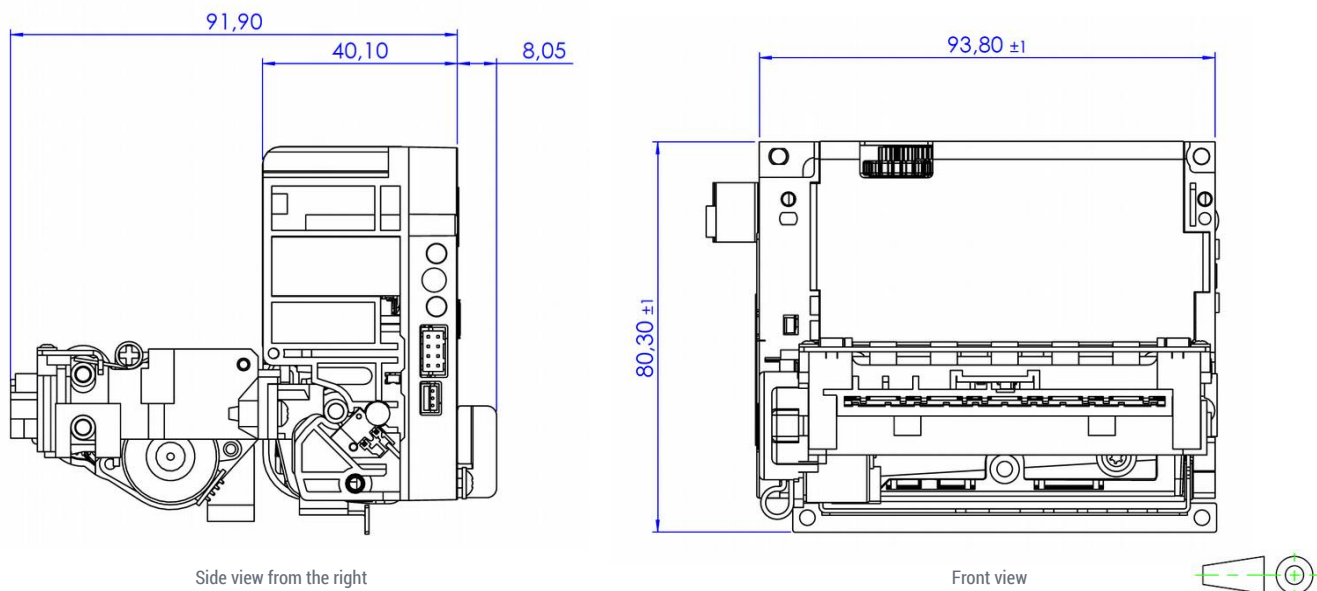


Figure 4: Dimensions GeBE-COMPACT Plus GPT-4672-PM-ISO (for max. 60 mm ticket width) in mm

Technical data details

	GPT-4672-M-ISO	GPT-4672-PM-ISO
Insert paper	auto paper loading	
Print procedure	thermal direct print	
Resolution	8 dots/mm (203 dpi), 448 dots/line	
Print speed	max. 250 mm/s (9.84 inch/s), depending on printer mechanism and settings	
Paper width	54 – 60 mm (2.13 – 2.36 inch) depending on paper guide	
Print width	56 mm (2.20 inch)	
Paper thickness	70 – 200 µm (2.76 – 7.87 mil)	
Supply voltage	24 VDC ±10%	
Current consumption print	adjustable via command: approx. 3.0 – 6.5 A (peak)	
Current consumption without print	approx. 30 mA (depending on interface)	
Available interfaces	USB 2.0 FS, RS232	
Fonts	11 fonts extendable, UTF-able, optional: Unicode	
Barcode	EAN8, EAN13, UPCA, Code39, 2of5int, Code128, QR Code	
MTBF*)	100 km (62 miles) / 2 Mio. cuts	
Dimensions module (W x H x D)	95 x 81 x 41 mm (3.74 x 3.19 x 1.61 inch)	95 x 81 x 92 mm (3.74 x 3.19 x 3.62 inch)
Weight module	approx. 300 g	approx. 405 g
Environment**)	-25°C – +70°C (-13°F – +158°F) with specified paper	
Humidity	10 – 90 % relative humidity, without condensation	
Storage condition	-25°C – +70°C (-13°F – +158°F) at 10 – 90 % relative humidity, without condensation	

*) Life cycle according to mechanism testing conditions of the manufacturer with specified paper only. Please inquire. The life cycle of the print head is an averaged expectable performance and no guaranteed data. Under optimum conditions, the above listed data can be achieved using specified paper according to our documentation TI-DE-0606.

**) In case the print head reaches the maximum ambient temperature, the printer will interrupt operation until cooling down and sends an error message.

The GeBE logo is a registered trademark of GeBE Elektronik und Feinwerktechnik GmbH. All other brands named in this brochure are properties of the respective companies.

The technical data given are non-committal information and do not represent any assurance of certain features. Errors and changes reserved.

This technical documentation is only valid until release of a revision. Please always request the newest documentation edition.

Our terms of payment and delivery apply.

Copyright © 2022 GeBE Elektronik und Feinwerktechnik GmbH.

All rights reserved.