

## GeBE-COMPACT Plus

## GPT-4672|-4673

### TECHNICAL INFORMATION

#### Highlights at first sight:

- built-in thermal printer in robust stainless steel housing, also with presenter
- cutter for full or partial cut
- ideal for protocol, receipt and ticket printing with text, graphics and bar codes
- for paper width 51 – 86 mm, paper thickness 60 – 200 µm and paper roll diameter up to 300 mm
- high quality print of 203/300 dpi with speed up to 250 mm/s
- suitable for solar operation, power supply 10 – 26 V

## The GeBE-COMPACT Plus

The built-in thermal printer GeBE-COMPACT Plus (GPT-4672, -4673) is mounted in a stainless steel housing and is tailored for front panel or paper catch solutions. With the right paper, he can be used in a temperature range of -20°C to +70°C, also for outdoor application. The power supply of 10 – 26 V also allows the solar operation.

The presenter helps to avoid damages on printer mechanism and cutter.

Blackmarks exactly control the printing process.

The wide range of available layout commands and 8 character sizes allow attractive ticket design.

### Typical application

Protocol printing in machines / ticket printing in kiosk systems, e.g. for pawn / ticket printing in vending machines e.g. train ticket

### Drivers

The printer controller GCT-4392/-4693 will be supported by following drivers:

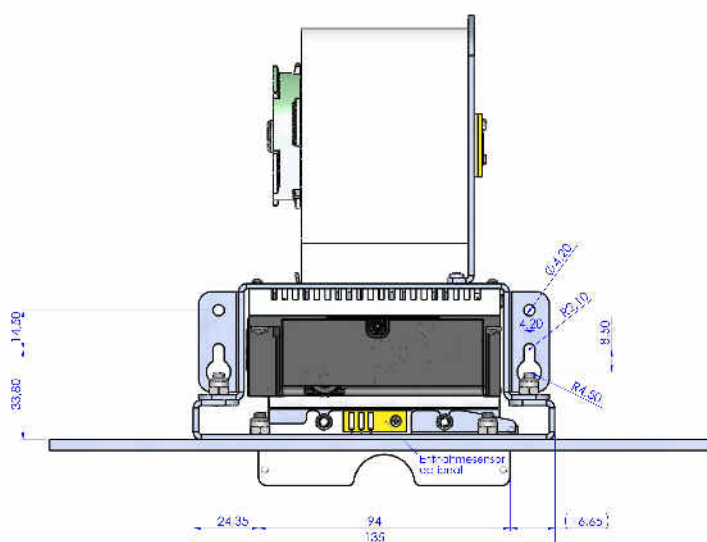
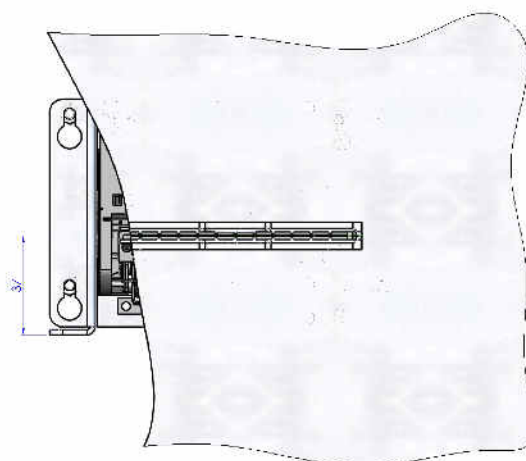
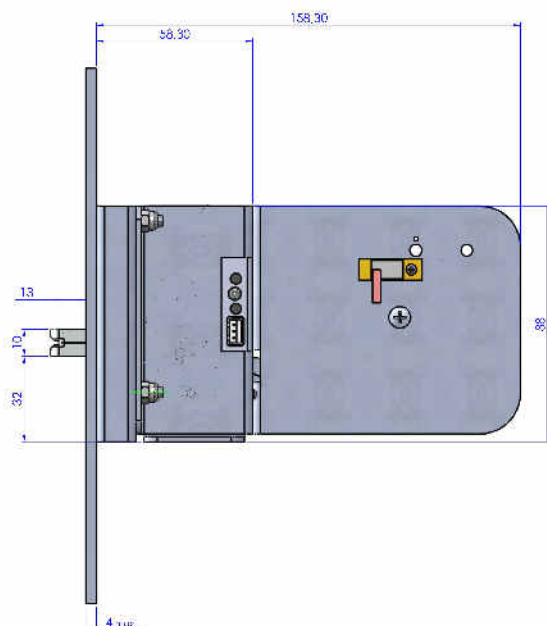
Windows® CE.Net 4.2, 5.0, 6.0 and Windows® 2000, XP, Vista, 7, 8, 8.1, 10

Unix via Cups for Linux and Mac OS

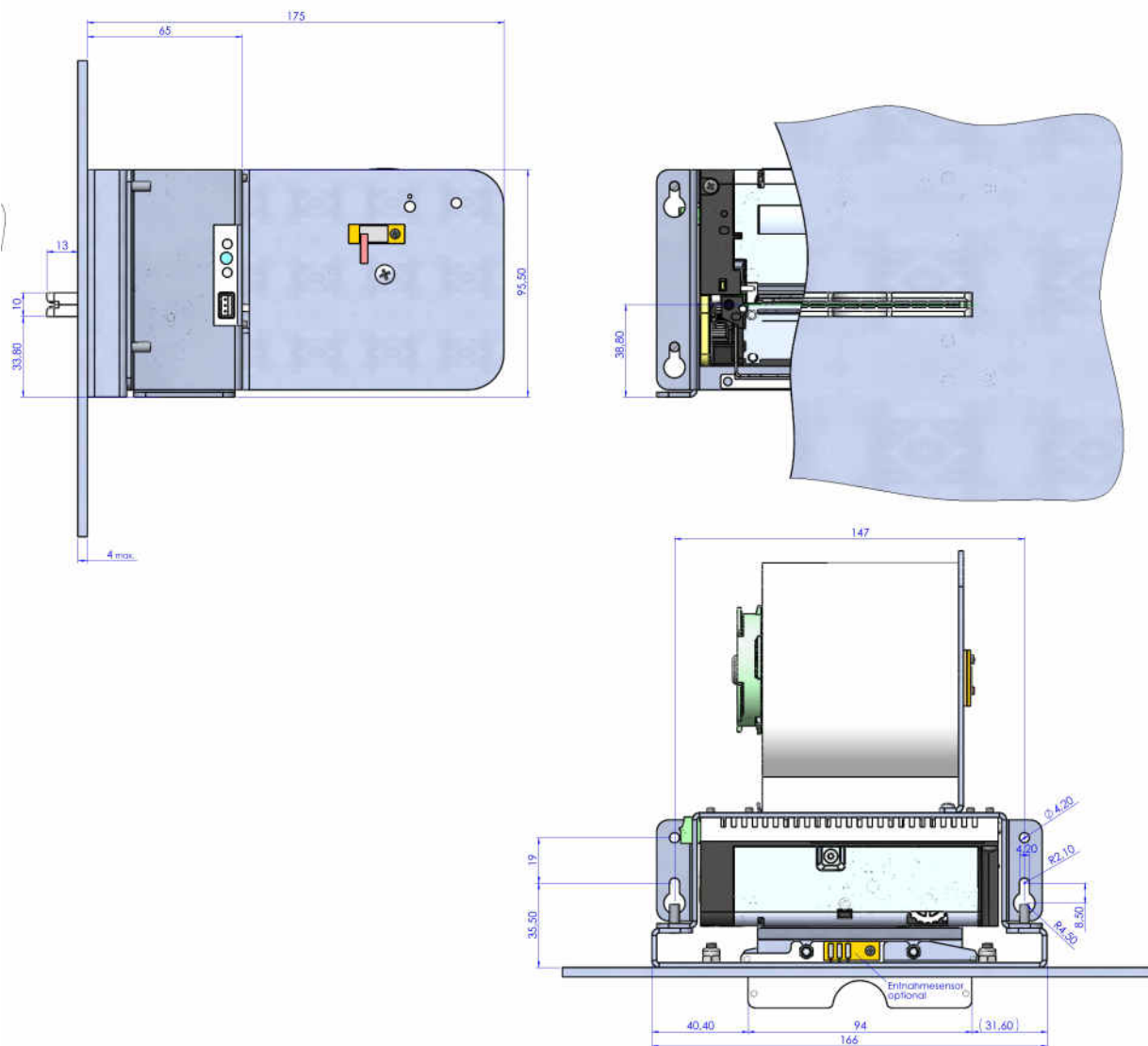
## Accessory details

Article number	Article designation	Article description
<b>Cable</b>		
10258	GKA-245-1-2-AEH/x-500-S	Cable for power supply 6-pin for 10-36 VDC connection, length 250 mm
11352	GKA-406-2-5-SHR/SubD9-1000-D	Round cable RS232 JST 5-pin to sub-D 9, length 1000 mm
11387	GKA-414-1-5-SHR/x-500-D	Cable RS232 JST 5-pin, one side open, length 500 mm
12872	GKA-570-2-5-MLX/USBA-2000-D	Cable USB type A to Molex, length 2000 mm
<b>Accessories</b>		
GPT-4672		
13680	GMT-4672-variable roll holder	Roll holder with adjustable entry angle, paper rolls $\varnothing$ 50 – 180 mm
13084	GMT-4672-roll holder	Roll holder for paper rolls $\varnothing$ 50 – 110 mm
13306	GMT-4672-bezel	Exit bezel with support for GPT-4672
13925	GMT-4672-mounting support	Mounting support GPT-4672
<b>Accessories</b>		
GPT-4673		
13680	GMT-4673-variable roll holder	Roll holder with adjustable entry angle, paper rolls $\varnothing$ 50 – 180 mm
13084	GMT-4673-roll holder	Roll holder for paper rolls $\varnothing$ 50 – 110 mm
13306	GMT-4673-bezel	Exit bezel with support for GPT-4673
13925	GMT-4673-mounting support	Mounting support GPT-4673
13642	GMT-4673-Paper Catch Attachment	Mounting plate GPT-4673 onto paper catch attachment GPS-085
13380	GSE-001-R1-XHP-110	NPE sensor for GPT-467x
<b>Power supply</b>		
13694	GNG-0-24V-6,5A-AC-SK/AEH-Set	Power supply 24V, 6.5A with Schuko plug and power supply cable
<b>Paper</b>		
GPT-4672		
12993	GPR-060-070-025-080-07-AN1k-WR	7 years paper, roll $\varnothing$ 70 mm, width: 60 mm, paper thickness: 80 $\mu$ m, outside coated
13001	GPR-060-150-025-080-07-AN1k-WR	7 years paper, roll $\varnothing$ 150 mm, width: 60 mm, paper thickness: 80 $\mu$ m, outside coated
<b>Paper</b>		
GPT-4673		
12785	GPR-082-070-025-080-07-AN1k-WR	7 years paper, roll $\varnothing$ 70 mm, width: 82 mm, paper thickness: 80 $\mu$ m, outside coated
13671	GPR-082-150-025-080-07-AN1k-WR	7 years paper, roll $\varnothing$ 150 mm, width: 82 mm, paper thickness: 80 $\mu$ m, outside coated

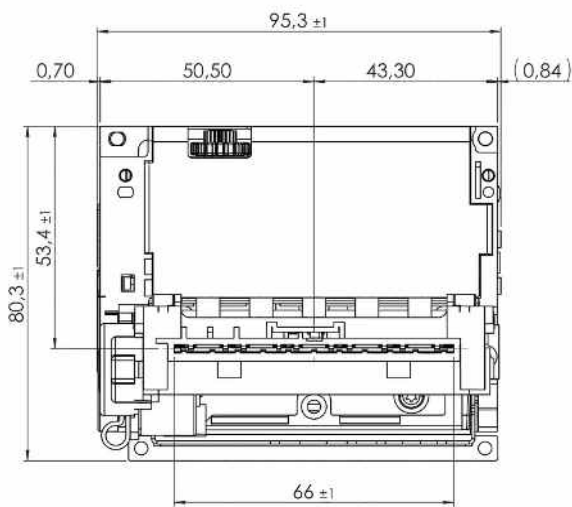
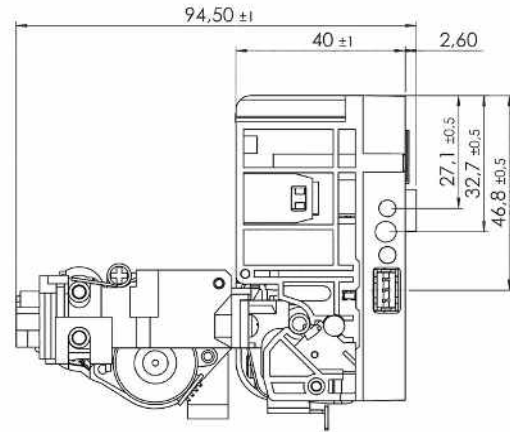
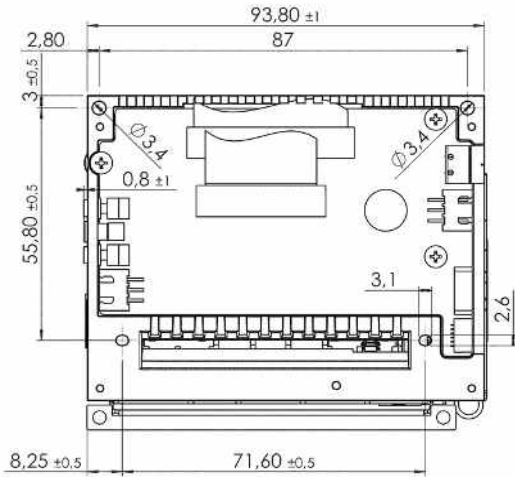
## Technical drawings



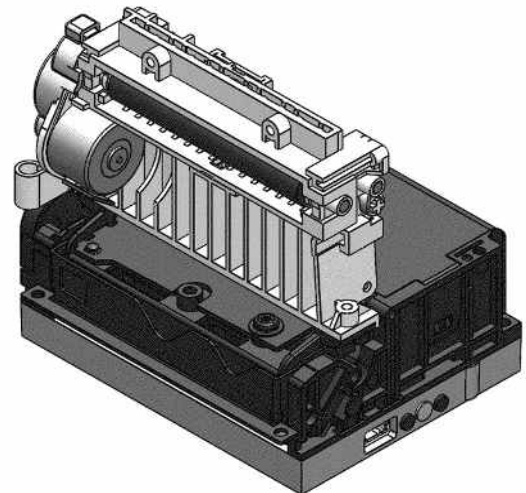
Drawing 1: GeBE-COMPACT Plus for 60 mm paper width



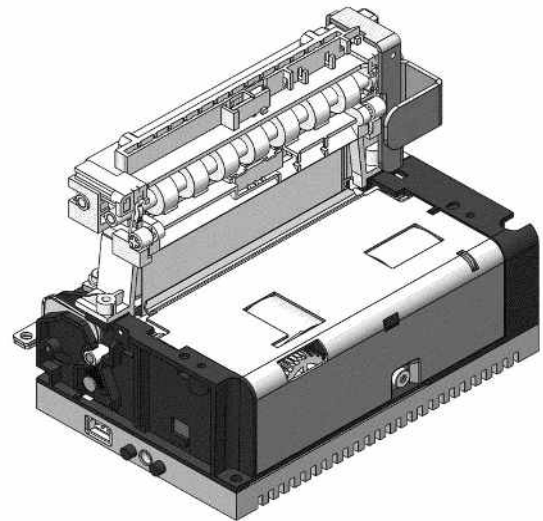
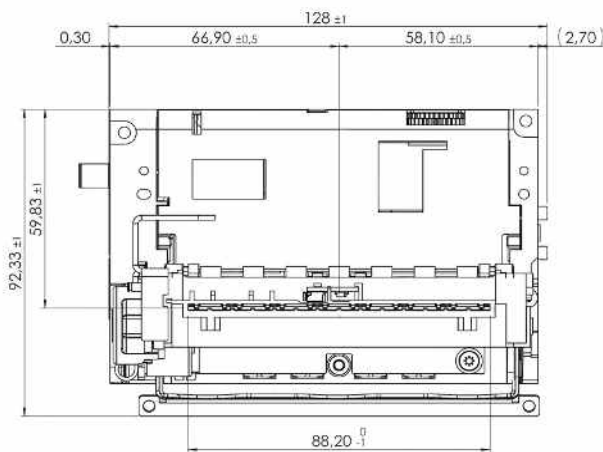
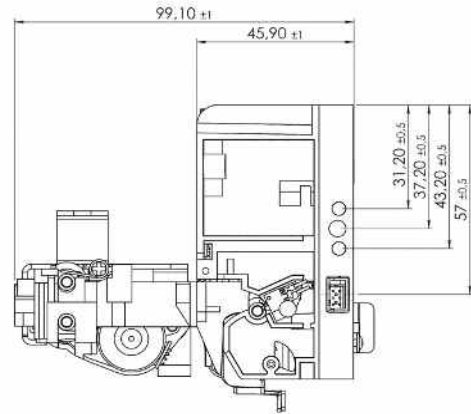
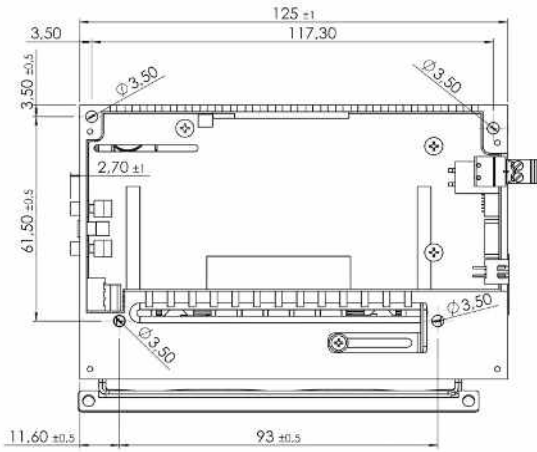
Drawing 2: GeBE-COMPACT Plus for 82 mm paper width



574 001



Drawing 3: GeBE-COMPACT Plus for 60 mm paper width with presenter



Drawing 4: GeBE-COMPACT Plus for 82 mm paper width with presenter

## Technical data details

	GPT-4672	GPT-4672-P	GPT-4673	GPT-4673-P
Insert paper	Auto paper loading			
Print procedure	Thermal direct print			
Resolution	8 dots/mm (203dpi), 448 dots/line		8 dots/mm (203dpi), 640 dots/line, optional: 300 dpi	
Print speed	max. 200 mm/s		max. 200 mm/s	
paper / print width	51 – 60 / 56 mm		54 – 82 / 80 mm optional: 54 - 86 / 80 mm	
Paper thickness	60 - 200 µm	60 – 100 µm	60 - 200 µm	60 – 100 µm
Supply voltage	10.8 – 26.4 V		10.8 – 26.4 V	
Max. current during print	Adjustable via command 3 – 12 A		Adjustable via command 3 – 12 A	
Current consumption during standby	80 mA, depending on interface		80 mA, depending on interface	
Available interfaces	RS232, USB		RS232, USB	
Fonts	IBMII 28, 56 characters/line, upgradeable		IBMII 36, 72 characters/line, upgradeable	
Bar code	Code 39, 2of5 int., EAN13 optional: Code 128c, PDF 417		Code 39, 2of5 int., EAN13 optional: Code 128c, PDF 417	
MTBF*)	200 km / 2 Mio. cuts		200 km / 2 Mio. cuts	
Dimensions	100 x 85 x 43 mm	94 x 81x 95 mm	113 x 93 x 50 mm	128 x 93 x 100 mm
Weight with mounting frame/tabs	550 g	547 g	837 g	1061 g
Paper roll diameter	150 mm, incl. roll holder (up to 300 mm on request)		150 mm, incl. roll holder (up to 300 mm on request)	
Housing	Stainless steel		Stainless steel	
Environment	-20°C - +70°C with specified paper			

\*) Life cycle according to mechanism testing conditions of the manufacturer with specified paper only. Please inquire. The life cycle of the print head is an averaged expectable performance and no guaranteed data. Under optimum conditions, the above listed data can be achieved using specified paper according to our documentation TI-606.

The GeBE logo is a registered trademark of GeBE Elektronik und Feinwerktechnik GmbH. All other brands named in this brochure are properties of the respective companies. The technical data given are non-committal information and do not represent any assurance of certain features. Errors and changes reserved. This technical documentation is only valid until release of a revision. Please always request the newest documentation edition.

Our terms of payment and delivery apply.

Copyright © 2016 GeBE Elektronik und Feinwerktechnik GmbH.

All rights reserved.