



GeBE-MULDE Naut

GPT-6653

TECHNICAL INFORMATION

Highlights at first sight:

- built-in thermal printer in four different housing designs
- with front or backside (kiosk application) closing
- for paper rolls with paper width 80 mm and diameter 80 mm or 60 mm
- suitable for protocol and receipt printing with text, graphics and barcode
- high quality printing in 203 dpi with 100 mm/s
- customized versions already available for small series

The GeBE-MULDE Naut

The low-maintenance built-in thermal printer GeBE-MULDE Naut (GPT-6653) with cutter for full or partial cut is suitable for paper thickness up to 80 µm and also processes preprinted paper. Four different housing designs are available. The printer can either be opened from the front or only from housing inside (kiosk version). The full or partial cut of the printout can be manually initiated or automatically (on request). Each printer version is available either with paper rolls ø 60 mm or ø 80 mm.

Using the right paper, the printer can be operated in a temperature range of -10°C to +60°C, therefore also suitable for outdoor applications.

Typical application

kiosk applications

Protocol printing, e.g. in measurement instruments, medical or industrial equipment or for documentation /
Receipt printing, e.g. at POS terminals, in accounting systems (cash deposit/payment) or in retail industry (cash voucher)

Drivers

The printer will be supported by following drivers:

Windows® CE.Net 4.2, 5.0, 6.0 and Windows® XP, Vista, 7, 8, 8.1

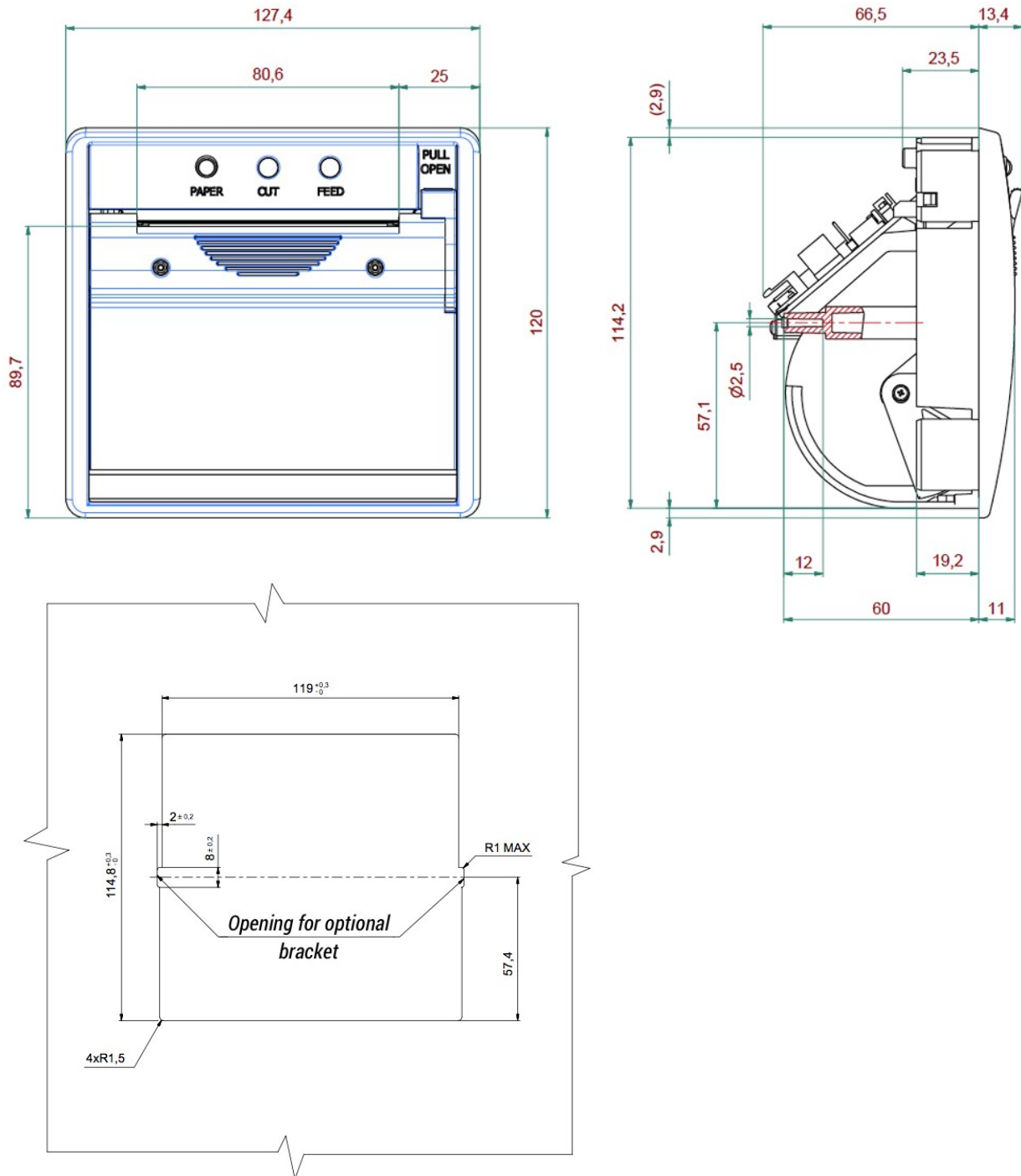
Unix via Cups for Linux and Mac OS

Accessory details

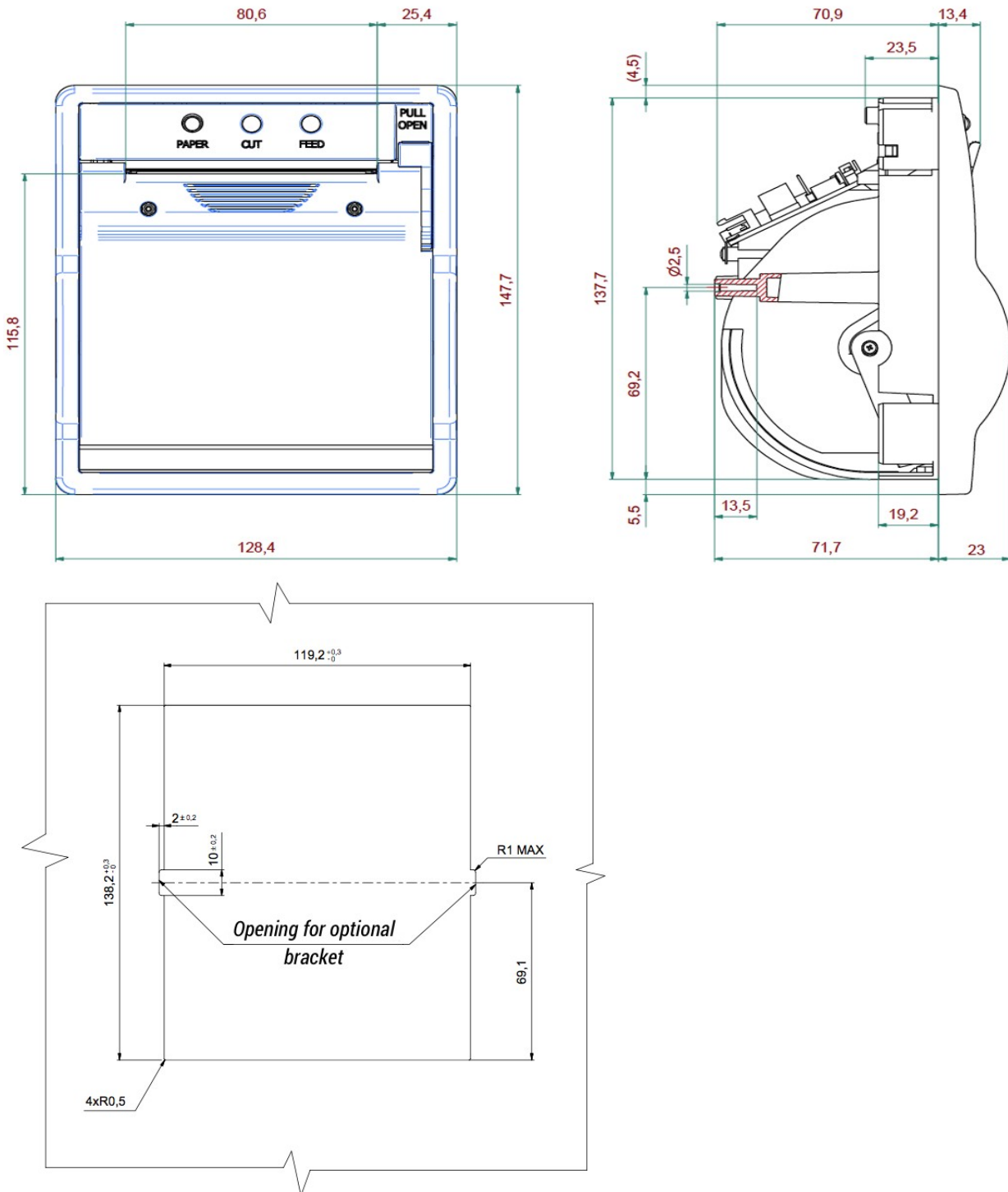
Article number	Article designation	Article description
Cable		
10258	GKA-245-1-2-AEH/x-500-S	Power supply cable 1,00 mm ² , length 500 mm with wire end sleeve
11387	GKA-414-2-5-SHR/x-500-D	Data cable RS232 JST SHR 5-pin, one side open, length 500 mm
11352	GKA-406-2-5-SHR/SubD9-1000-D	Data round cable RS232 JST SHR 5-pin to Sub-D 9, length 1000 mm
11919	GKA-480-2-5-USBM/USBA-1800-D	Round cable USB Mini-B to USB Typ A, length 1800 mm
Power Supply		
13695	GNG-0-24V-3A-AC-SK/AEH	Power supply open frame 24V 3A with Schuko plug and power supply cable
Paper		
13718	GPR-080-060-012-060-07-AN1k	7 years paper, roll ø 60 mm, width 80 mm, paper thickness 60µm
13006	GPR-080-080-012-060-07-ANIK	7 years paper, roll ø 80 mm, width 80 mm, paper thickness 60µm

Technical drawings

Drawing 1: GeBE-MULDE Naut with paper roll ϕ 60 mm



Drawing 2: GeBE-MULDE Naut with paper roll \varnothing 80 mm



Technical data details

	GPT-6653-60	GPT-6653-80
Insert paper	Easy paper loading	
Print procedure	Thermal direct print	
Resolution	8 dot/mm (203dpi), 576 dots/line	
Print speed	100 mm/s	
Paper / print width	80 / 72 mm	
Paper thickness	63 - 80 µm	
Supply voltage	24 VDC	
Max. current during print	Adjustable via command: 3 - 12 A	
Current consumption during standby	50 mA	
Available interfaces	USB, optional: RS232	
Fonts	IBM II 24, 32, 42, 54 character/line, extendable	
Bar code	Code39, 2of5 interleaved, EAN13 (optional: Code128c, UPC_A, PDF417)	
MTBF*	50 km	
Dimensions	127.4 x 120 x 80 mm	128.4 x 147.7 x 94.7 mm
Weight	340 g without paper roll	360 g without paper roll
Paper roll diameter	60 mm	80 mm
Housing	polycarbonate	
Environment	-10° C - +60° C with specified paper	
Humidity	10 – 90 % rel. humidity, without condensation	
Storage conditions	-20° C - +70° C 10 – 90 % rel. humidity, without condensation	

*) Life cycle according to mechanism testing conditions of the manufacturer with specified paper only. Please inquire. The life cycle of the print head is an averaged expectable performance and no guaranteed data. Under optimum conditions, the above listed data can be achieved using specified paper according to our documentation TI-606.
The GeBE logo is a registered trademark of GeBE Elektronik und Feinwerktechnik GmbH. All other brands named in this brochure are properties of the respective companies. The technical data given are non-committal information and do not represent any assurance of certain features. Errors and changes reserved. This technical documentation is only valid until release of a revision. Please always request the newest documentation edition.
Our terms of payment and delivery apply.
Copyright © 2016 GeBE Elektronik und Feinwerktechnik GmbH.
All rights reserved.